

**Product: RECTANGULAR MEETING TABLE**

It is the executive luxury version of the best seller *More*. *Grand More* legs and table tops are characterized by rounded profiles which are 60 mm width (instead of 45) and tapered legs that lighten the table structure.

It can be used as meeting table or as a bench, if equipped with a lifting dividing panel.

**TECHNICAL FEATURES**

**Top:** tops are 22 mm thick, flush with structure, in laminate, sablè lacquered, veneer, ceramic or back-lacquered etched extra light finish glass. They have R35 rounded corners.

**Top profiles:** profiles are in Aluminium epoxy powder coated or in luxury metal. Profiles create a structure independent from the top.

**Legs:** metal legs epoxy powder coated or in luxury metals.

**ELECTRIFICATION**

**Top Access:** not available for clear glass table top.

**Wiring column:** in the same finish as the legs.

**Cable tray; clip-on cable management.**

**FINISHES**

**Top:**

**Laminate:** White Snow, Oak, White Fenix.

**Sablè Lacquered,** available in different sample collection colours.

**Veneer:** Magnolia, White Colour Fir, Nuvola stained Oak, Natural Oak 2016, American Walnut, Eucalyptus, Wengè, Zebrano Brown, Ebano.

**Back-lacquered etched glass:** White, Silver, Titanio, Brown, Alfa Red.

**Ceramic:** Calacatta Soft, Calacatta Glossy, Statuario Soft, Statuario Glossy, Walks 1.0 White, Walks 1.0 Gray, Le Roche Ecrù, Ardoise Ecrù, Ardoise Noir, Nero Marquinia, Le Roche Grey, Industrial Ivory, Industrial Plomb.

**Legs:**

**Varnished Aluminium:** glossy UE White, matt or glossy White Snow, matt Titanio, matt Carbon Glacè, glossy Alfa Red.

**Luxury Metal:** Chromed, glossy Nickel Black, matt Bronze, matt Brass, matt Antique Brass, Pewter Quarz, Brunished Cobalt.



**DIMENSIONS**

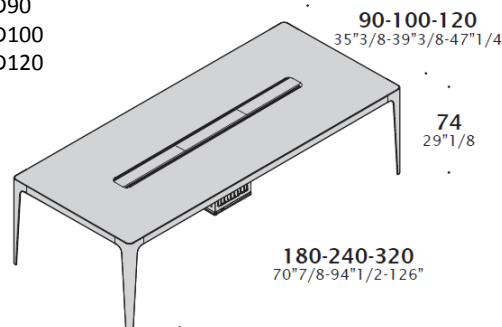
Table with wiring column; top in Laminate/Lacquered/Veneer.

Options:

H74 + L180 + D90

H74 + L240 + D100

H74 + L320 + D120



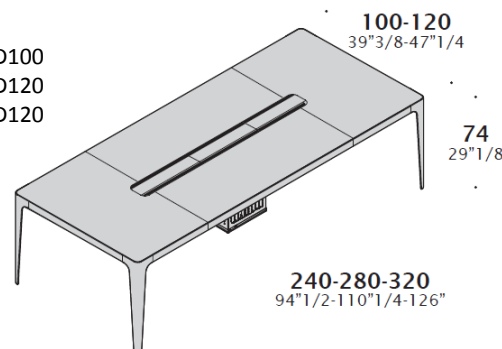
With wiring column and top access; top in etched glass/Ceramics.

Options:

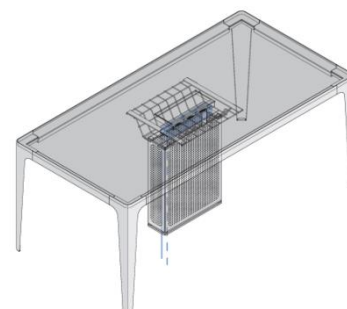
H74 + L240 + D100

H74 + L280 + D120

H74 + L320 + D120



**ELECTRIFICATION**



**Product: SQUARE MEETING TABLE**

It is the executive luxury version of the best seller *More*. *Grand More* legs and table tops are characterized by rounded profiles which are 60 mm width (instead of 45) and tapered legs that lighten the table structure.

It can be used as meeting table or as a bench, if equipped with a lifting dividing panel.

**TECHNICAL FEATURES**

**Top:** tops are 22 mm thick, flush with structure, in laminate, sablè lacquered, veneer, ceramic, back-lacquered etched extra light finish glass or clear glass. They have R35 rounded corners.

**Top profiles:** profiles are in Aluminium epoxy powder coated or in luxury metal. Profiles create a structure independent from the top.

**Legs:** metal legs epoxy powder coated or in luxury metals.

**ELECTRIFICATION**

**Top Access:** not available for clear glass table top.

**Wiring column:** in the same finish as the legs.

**Cable tray; clip-on cable management.**

**FINISHES**

**Top:**

**Laminate:** White Snow, Oak, White Fenix.

**Sablè Lacquered,** available in different sample collection colours.

**Veneer:** Magnolia, White Colour Fir, Nuvola stained Oak, Natural Oak 2016, American Walnut, Eucalyptus, Wengè, Zebrano Brown, Ebano.

**Clear glass.**

**Back-lacquered etched glass:** White, Silver, Titanio, Brown, Alfa Red.

**Ceramic:** Calacatta Soft, Calacatta Glossy, Statuario Soft, Statuario Glossy, Walks 1.0 White, Walks 1.0 Gray, Le Roche Ecrù, Ardoise Ecrù, Ardoise Noir, Nero Marquinia, Le Roche Grey, Industrial Ivory, Industrial Plomb.

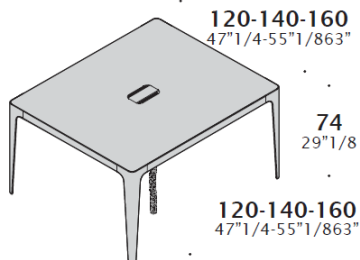
**Legs:**

**Varnished Aluminium:** glossy UE White, matt or glossy White Snow, matt Titanio, matt Carbon Glacè, glossy Alfa Red.

**Luxury Metal:** Chromed, glossy Nickel Black, matt Bronze, matt Brass, matt Antique Brass, Pewter Quarz, Brunished Cobalt.



**DIMENSIONS**

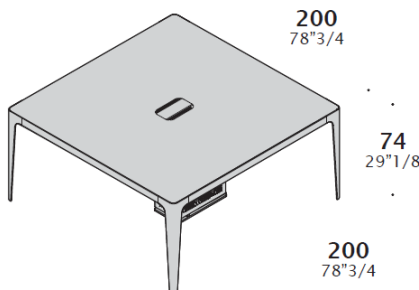


Options:

H74 + L120 + D120

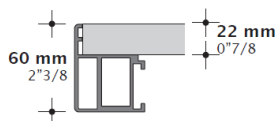
H74 + L140 + D140

H74 + L160 + D160

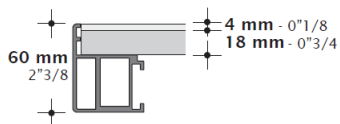


With wiring column.

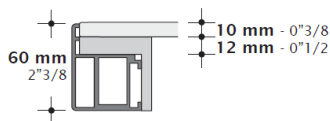
Top in Veneer/etched Glass/Ceramics-



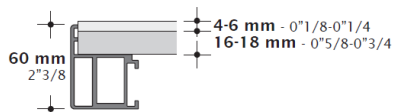
TOP:  
Laminate/Lacquered/Veneer.



TOP:  
Back lacquered etched glass.



TOP:  
Clear glass.



TOP:  
Ceramic.

**Product: SHARING-MEETING TABLE**

It is the executive luxury version of the best seller *More*. *Grand More* legs and table tops are characterized by rounded profiles which are 60 mm width (instead of 45) and tapered legs that lighten the table structure.

It can be used as meeting table or as bench, if equipped with a lifting dividing panel.



**TECHNICAL FEATURES**

**Top:** tops are 22 mm thick, flush with structure, in laminate, sablè lacquered veneer, ceramic or back-lacquered etched glass. They have R35 rounded corners.

**Central panel:** height adjustable and Fabric covered.

**Modesty panel:** in Sablè Lacquered finish.

**Top profiles:** profiles are in Aluminium epoxy powder coated or in luxury metal. Profiles create a structure independent from the top.

**Legs:** metal legs epoxy powder coated or in luxury metals.

**ELECTRIFICATION**

**Top Access:** not available for clear glass table top.

**FINISHES**

**Top:**  
**Sablè lacquered,** available in different sample collection colours.

**Veneer:** Magnolia, White Colour Fir, Nuvola stained Oak, Natural Oak 2016, American Walnut, Eucalyptus, Wengè, Zebrano Brown, Ebano.

**Back-lacquered etched glass:** White, Silver, Titanio, Brown, Alfa Red.

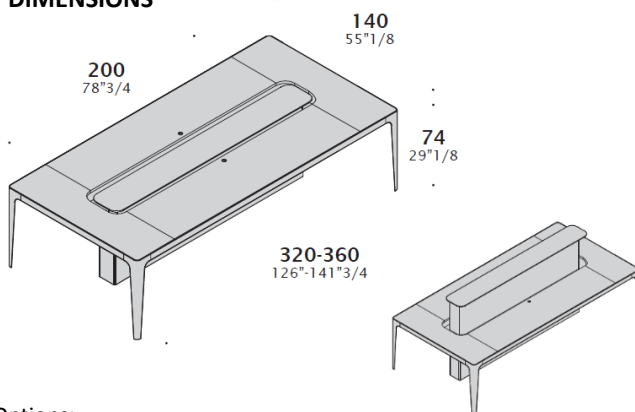
**Ceramic:** Calacatta Soft, Calacatta Glossy, Statuario Soft, Statuario Glossy, Walks 1.0 White, Walks 1.0 Gray, Le Roche Ecrù, Ardoise Ecrù, Ardoise Noir, Nero Marquinia, Le Roche Grey, Industrial Ivory, Industrial Plomb.

**Legs:**

**Varnished Aluminium:** glossy UE White, matt or glossy White Snow, matt Titanio, matt Carbon Glacè, glossy Alfa Red.

**Luxury Metal:** Chromed, glossy Nickel Black, matt Bronze, matt Brass, matt Antique Brass, Pewter Quarz, Brunished Cobalt.

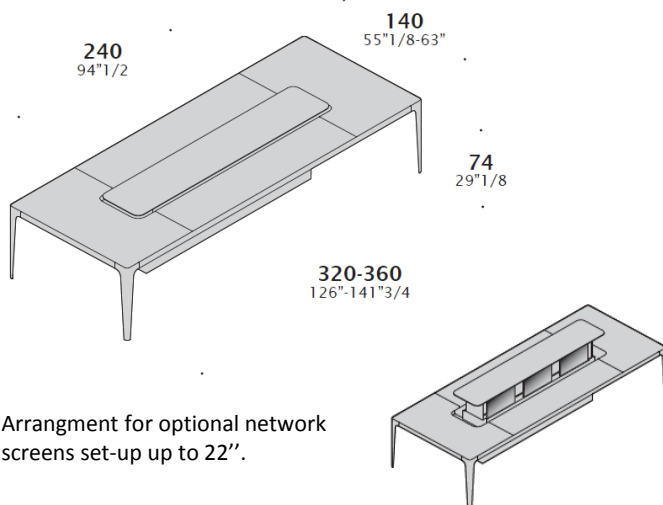
**DIMENSIONS**



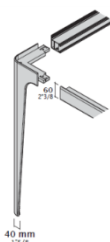
Options:

D 140 + H 74 + L320/360

For both tables: the front panel is upholstered in fabric; the modesty panel is in lacquered finish.



Arrangement for optional network screens set-up to 22".



Detail: leg-top profile connection.